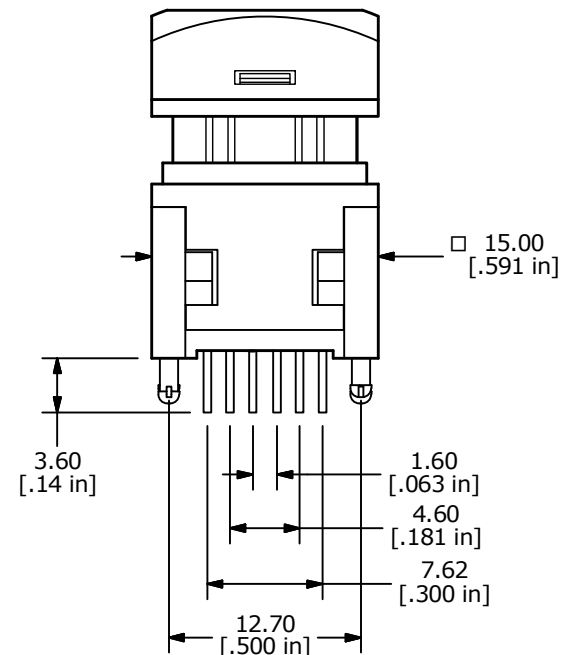
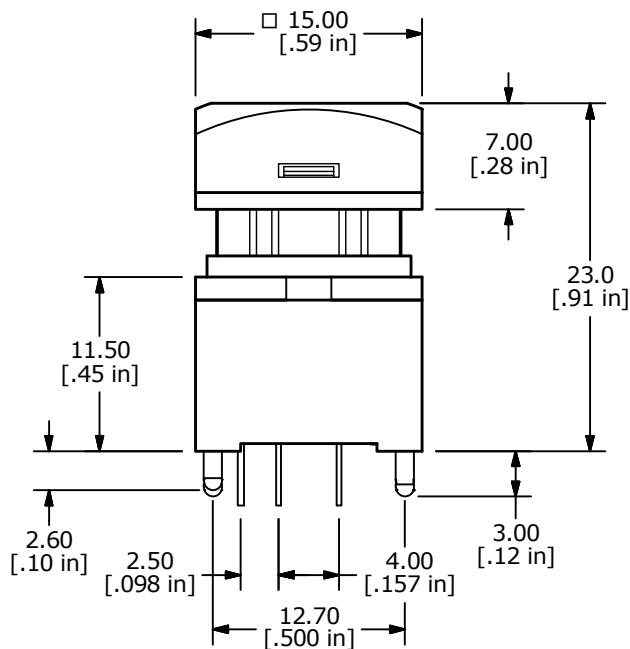
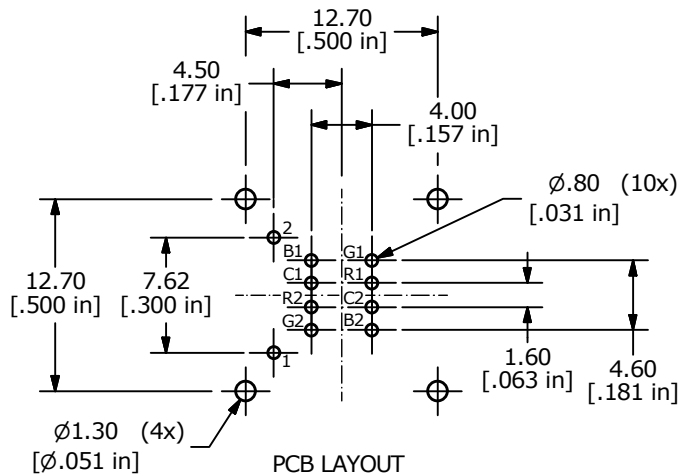
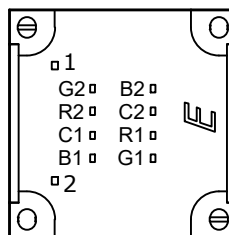


▲ LED COLOR: RGB  
RED/GREEN/BLUE



- NOTES:
1. ALL DIMENSIONS IN MM [INCH]
  2. GENERAL TOLERANCE: X.X = ± 0.4  
X.XX = ± 0.25
  3. TERM. NUMBERS FOR REFERENCE ONLY.
  4. RATING: 12VDC, 100mA
  5. CONTACT MATERIAL: GOLD PLATED
  6. CONTACT RESISTANCE: 200 mΩ MAX.
  7. INSULATION RESISTANCE: 500VDC, 100 MΩ MIN.
  8. OPERATING FORCE: 200 ± 80gf
  9. MECHANICAL LIFE: 2,000,000 CYCLES
  10. OPERATING TEMP: -40°C to +85°C
  - ▲ 11. LED COLORS: RGB (RED/GREEN/BLUE)
  12. TRAVEL: 4.50mm ± 0.20mm
  13. ▲ DENOTES CRITICAL PARAMETER.
  - ▲ 14. SWITCH HAS TACTILE FEEDBACK WHEN ACTUATED



LED SPECS	UNITS	RED	GREEN	BLUE
FORWARD CURRENT	mA	20	20	20
FORWARD VOLTAGE @20mA	V	2.1-2.4	3.2-3.9	3.2-3.9
LUMINOUS INTENSITY @20mA	MCD	675	1600	240



TITLE LP110A1TBSRGB

A	24158	RELEASE	1/16/20	MW
REV	PCR NO	DESCRIPTION	DATE	BY

SCALE	DATE	DR	DWG	REV
2:1	1/16/2020	MW	B231023	A

THE INFORMATION CONTAINED IN THIS DOCUMENT IS PROPRIETARY TO E-SWITCH AND IS NOT TO BE COPIED OR TRANSFERRED